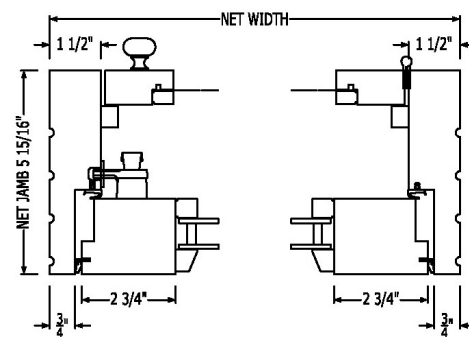
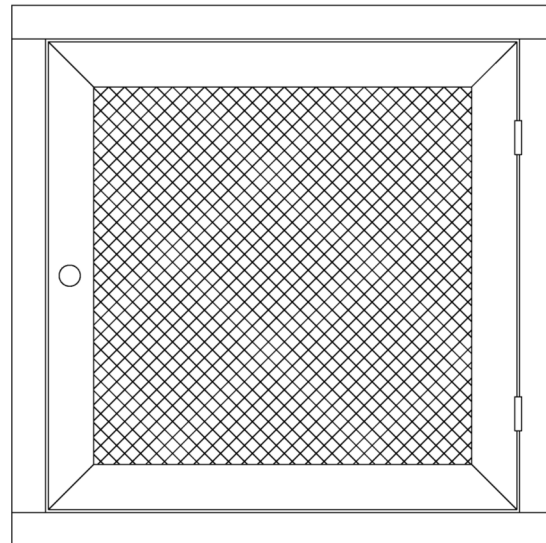
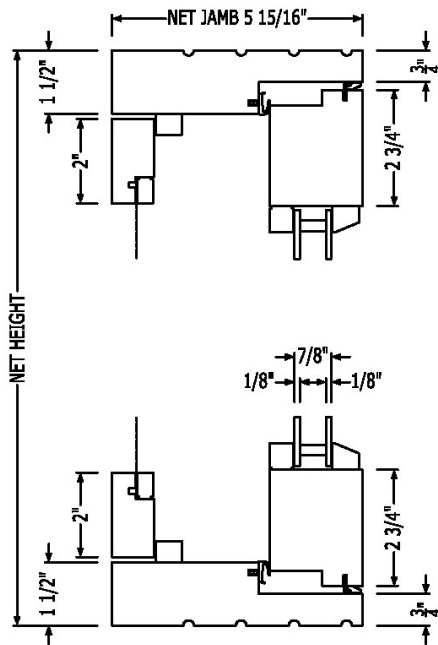




QUANTUM
WINDOWS & DOORS, INC.

Classic Series Window with In-Swing Hinged Screens



Quantum Windows & Doors, Inc.

2720 34th Street Everett, WA 98201 | www.quantumwindows.com

Phone 425.259.6650 | Fax 425.339.1522 | qsales@quantumwindows.com



WINDOW & DOOR
MANUFACTURERS ASSOCIATION

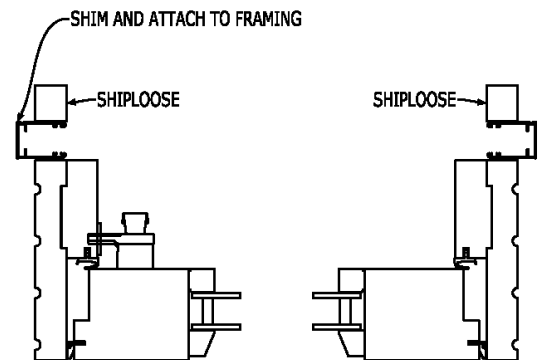
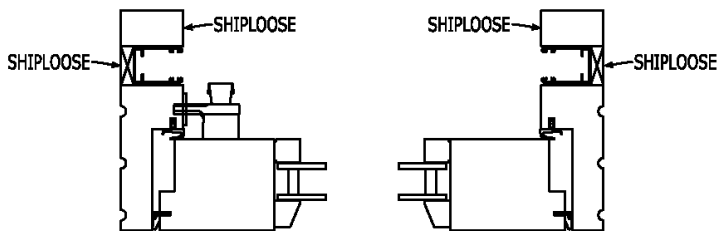
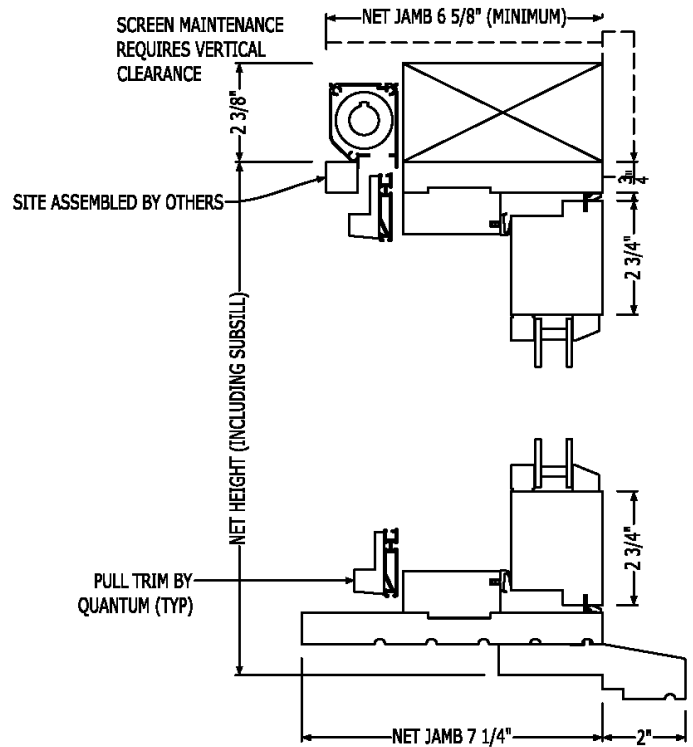
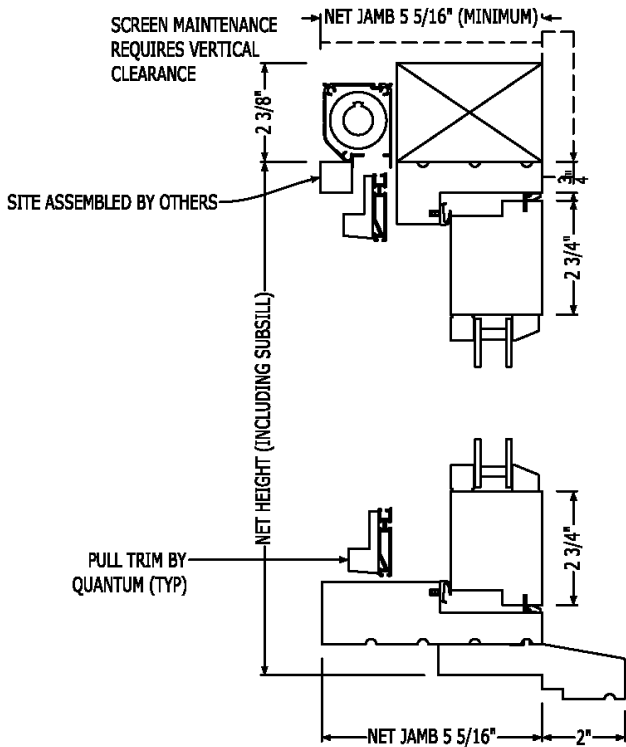
WDMA





QUANTUM
WINDOWS & DOORS, INC.

Classic Series Window with Roll Screens (Screen Install by Others)



Quantum Windows & Doors, Inc.

2720 34th Street Everett, WA 98201 | www.quantumwindows.com

Phone 425.259.6650 | Fax 425.339.1522 | qsales@quantumwindows.com



WINDOW & DOOR
MANUFACTURERS ASSOCIATION

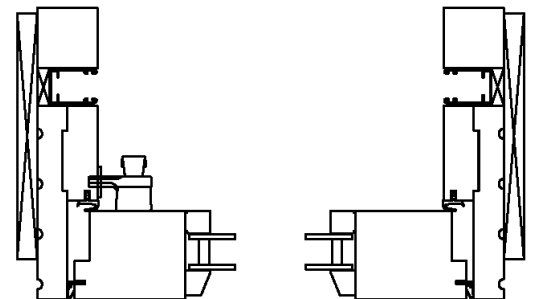
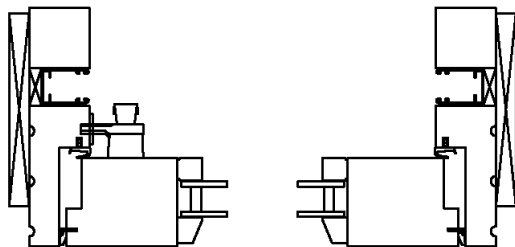
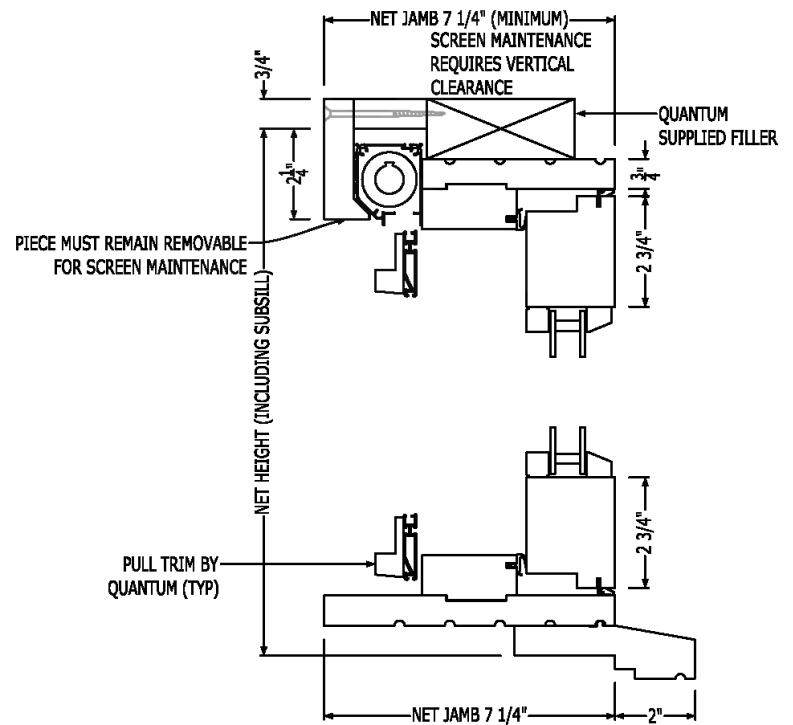
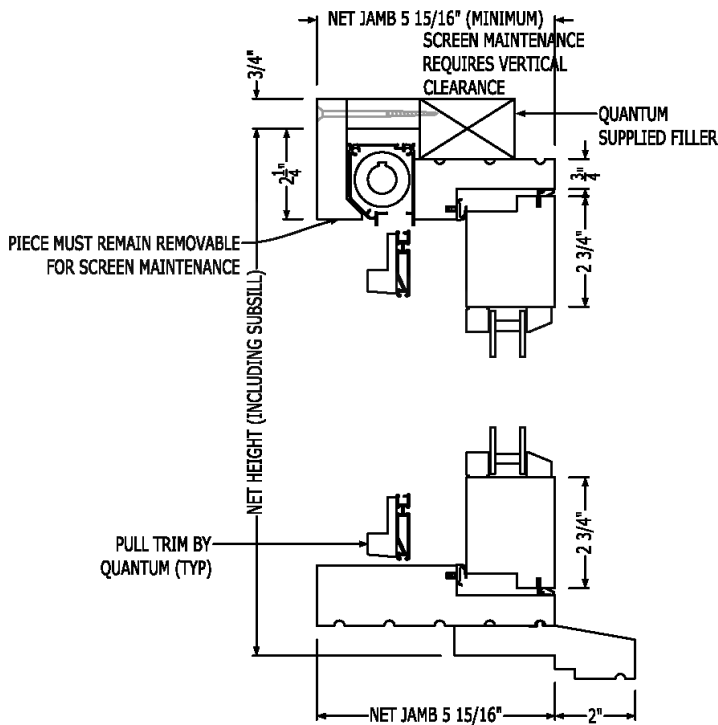
WDMA





QUANTUM
WINDOWS & DOORS, INC.

Classic Series Window with Roll Screens (Fully Integrated System)



Quantum Windows & Doors, Inc.
2720 34th Street Everett, WA 98201 | www.quantumwindows.com
Phone 425.259.6650 | Fax 425.339.1522 | qsales@quantumwindows.com



WINDOW & DOOR
MANUFACTURERS ASSOCIATION

WDMA

