

Pacific Series Sliding Doors

The Pacific Series Sliding Door is a classic example of how Quantum brings harmony to an integrated system. This door style capitalizes on the popular features of a traditional sliding door yet boasts the appearance of French doors.

Large stiles and rails characterize the door panels of the Pacific Series Sliding Door. Strength, security and good looks embody this classic sliding door that slides smoothly and easily.

The Pacific Series door can be designed with two, three or four panel sections. Door panels can be specified as flat, raised, tongue and groove, glazed or a combination. Add true divided lites, transoms, vertical or horizontal rails, special glazing and more to create a truly impressive opening.

Wood screens are available, and standard hardware is brass or aluminum.

Take a closer look. It's all in the details and Quantum pays particularly close attention to *all* the details.



Styles

2 to 4 door Panels

Wood Panels

Glass Panels

Combinations of Wood & Glass

Options

Ovolo Detailing

Screens

True Divided Lites



Pacific Series Sliding Doors

At Quantum, it's all in the details and we believe our details are what make every Quantum window and door a superior choice. We invite you to take a closer look—at the premium wood species, the craftsmanship of the joinery, the hardware and the glass options.

Take a closer look. It's all in the details.



Dual-sealed insulating glass units

- Cardinal Low-E
- Argon filled
- High performance foam spacer
- Set in caulk, not taped on
- Removable exterior stops



Exceptional milling and joinery

- VG Douglas Fir standard species with many other wood species available including split species and reclaimed, recycled and salvaged woods
- Grain and color matching
- Hand sanded
- Standard thickness: 1-3/4"
- Stile and rail with blind doveled and glued joints



Premium Hardware

- Brass or aluminum
- Multiple finish options
- European styling
- Multi-point locking mechanisms available



True divided lites and finishing

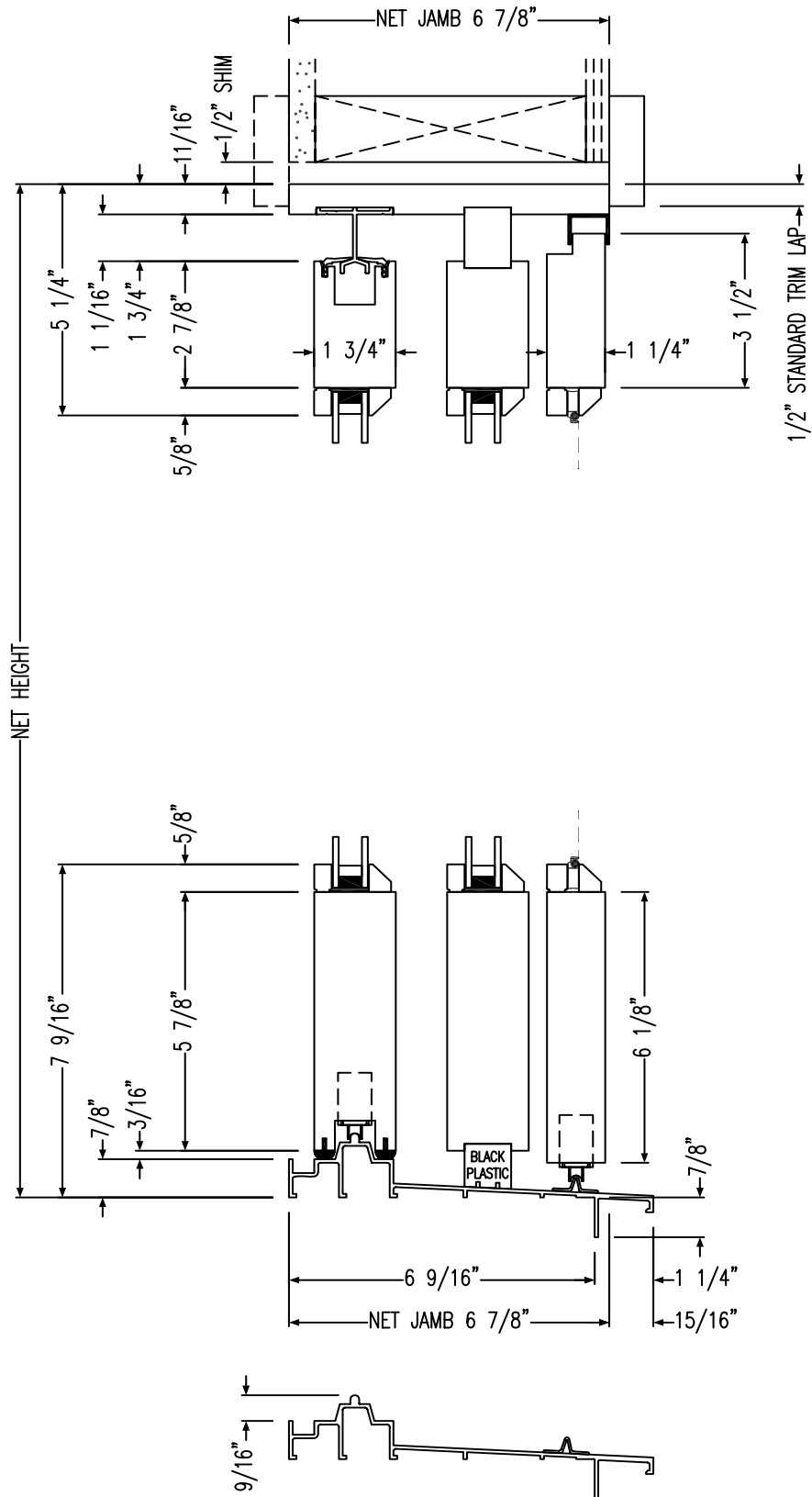
- Precise sight lines assured
- Always true, never simulated
- No finish is standard, but multiple finish options are available including primer, finish coat, and finishes with breathable and high endurance properties

15/5/3 Warranty

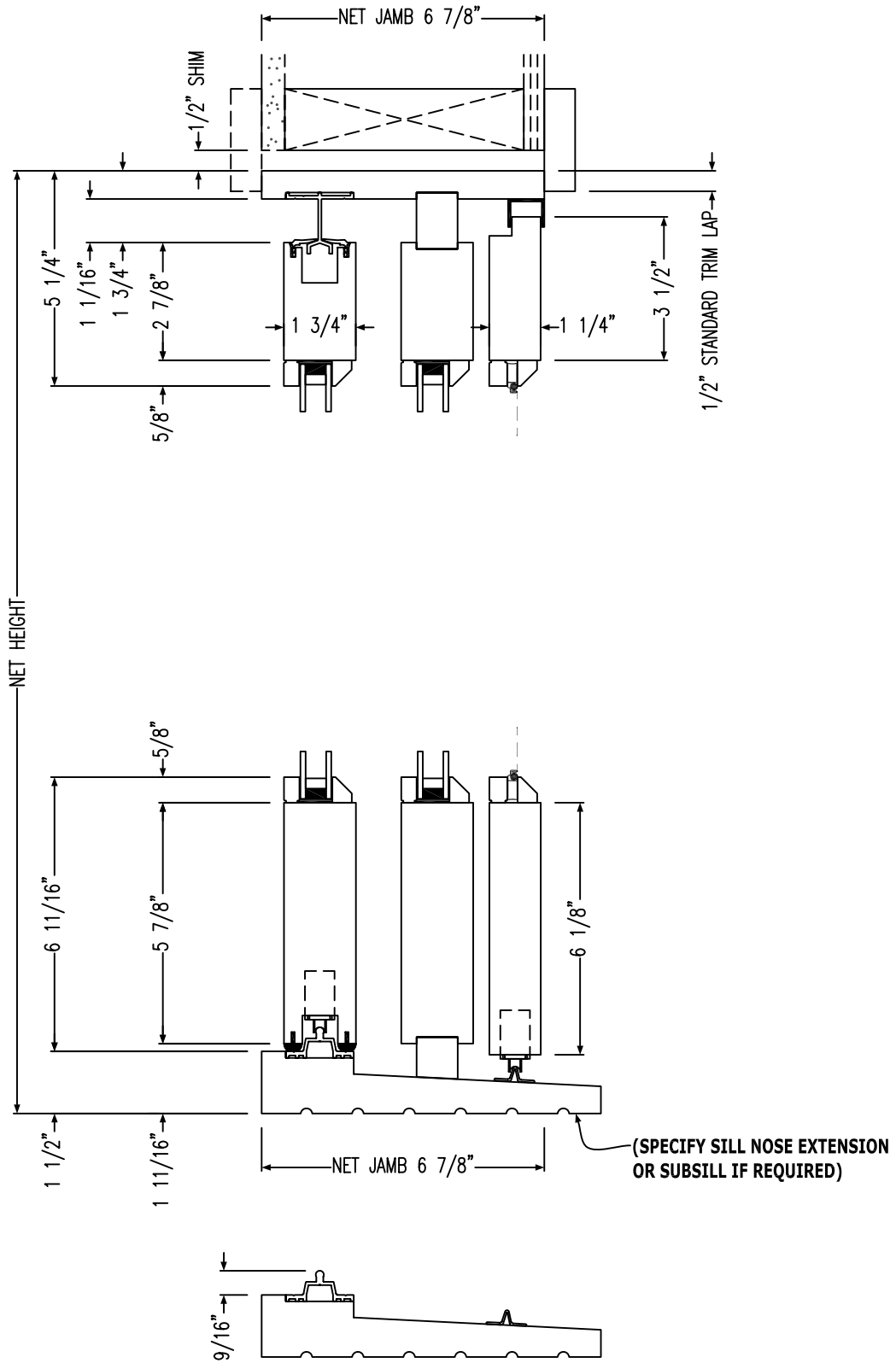
Ask your Quantum representative for complete details on these and other Quantum products.



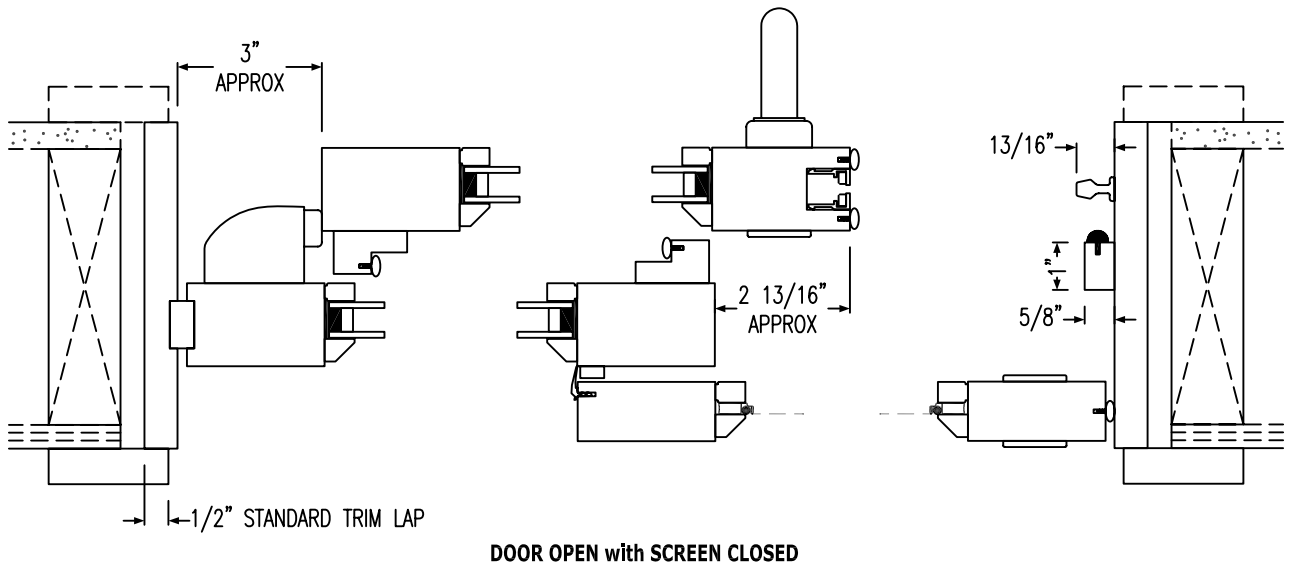
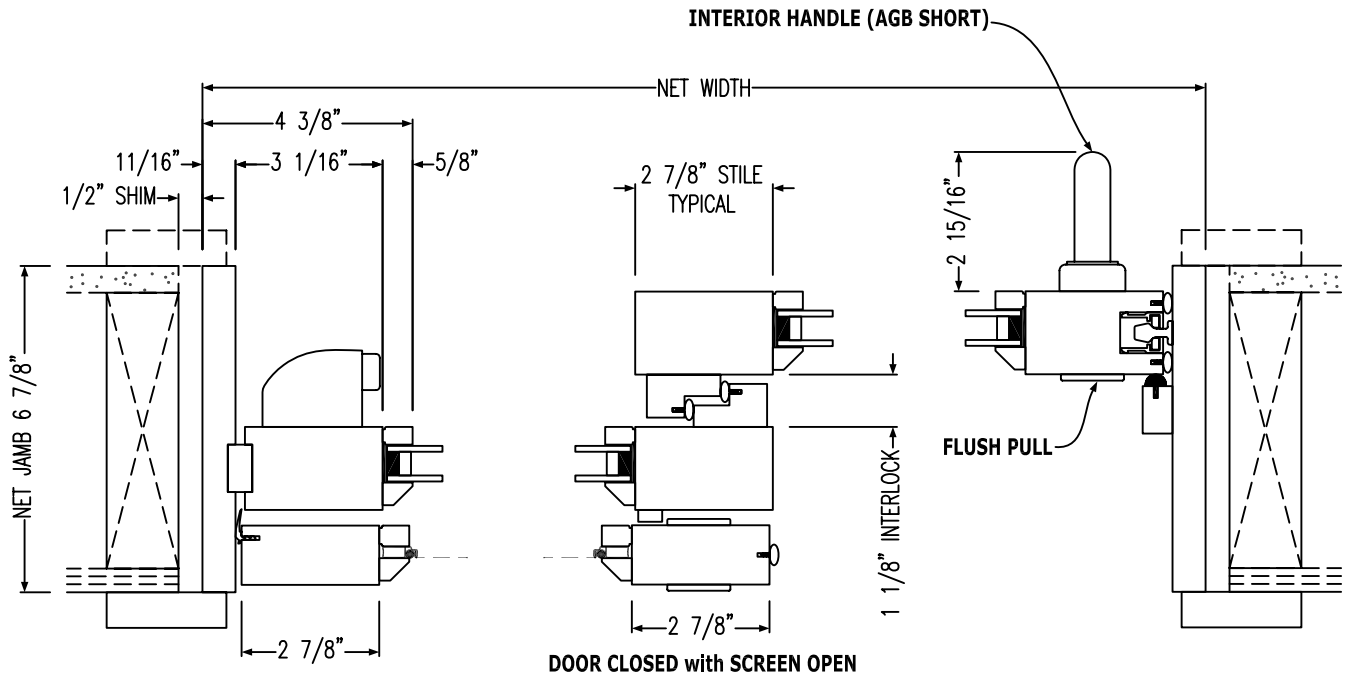
Pacific Series Sliding Doors Head & Aluminum Sill



Pacific Series Sliding Doors Head & Wood Sill

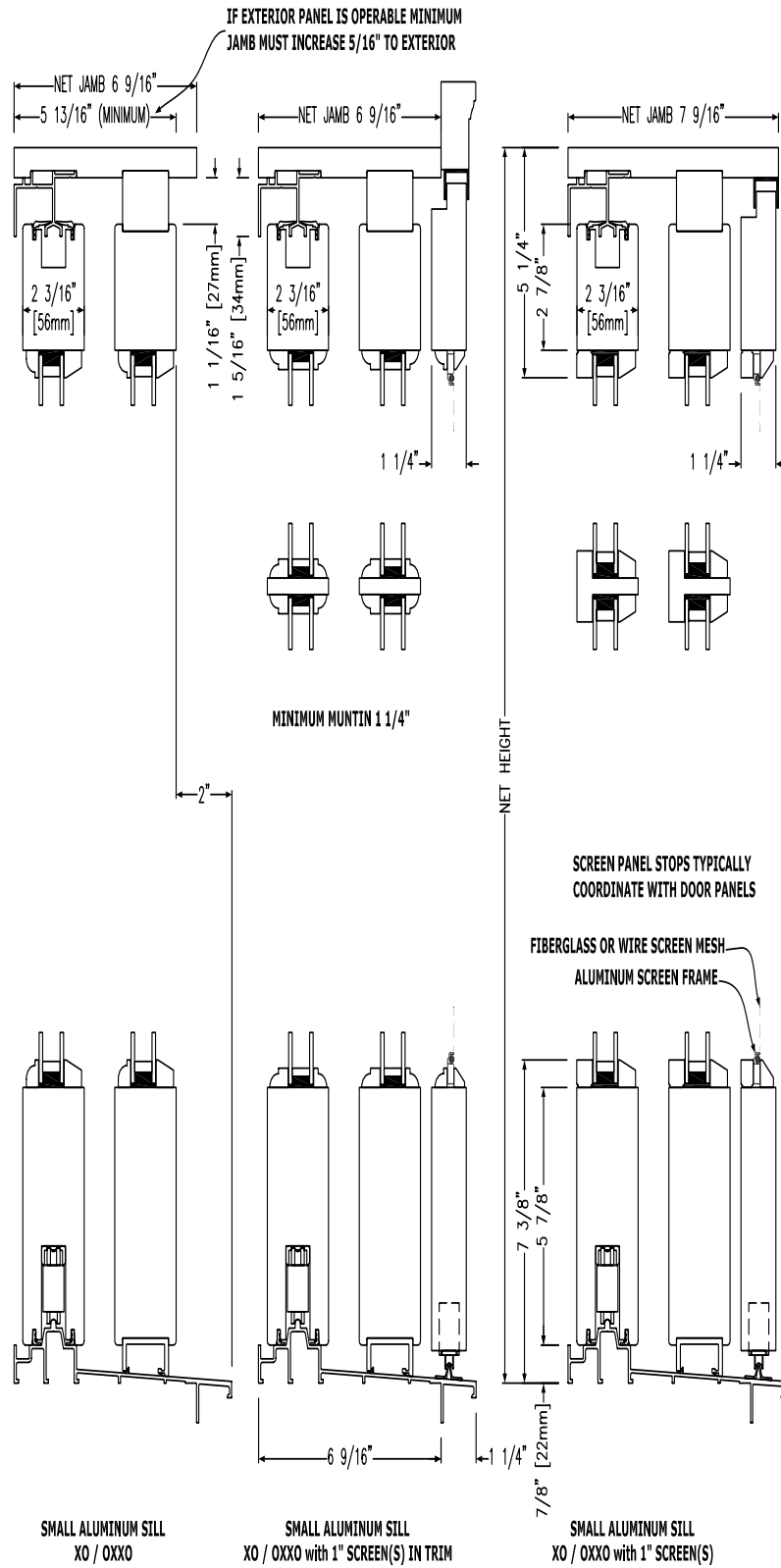


Pacific Series Sliding Doors Jamb & Stiles

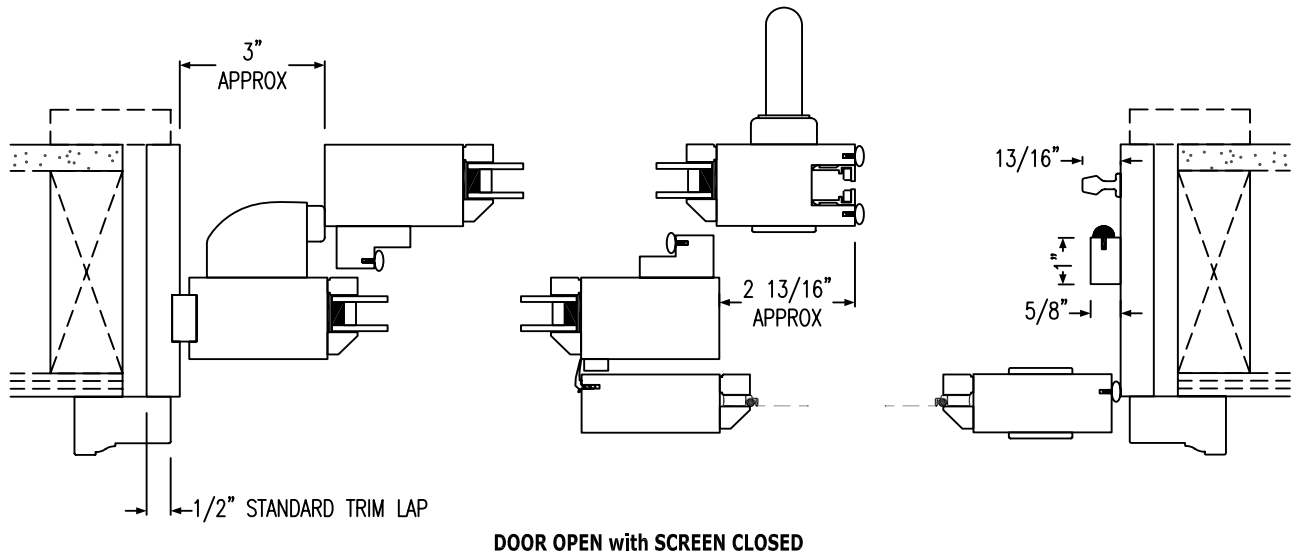
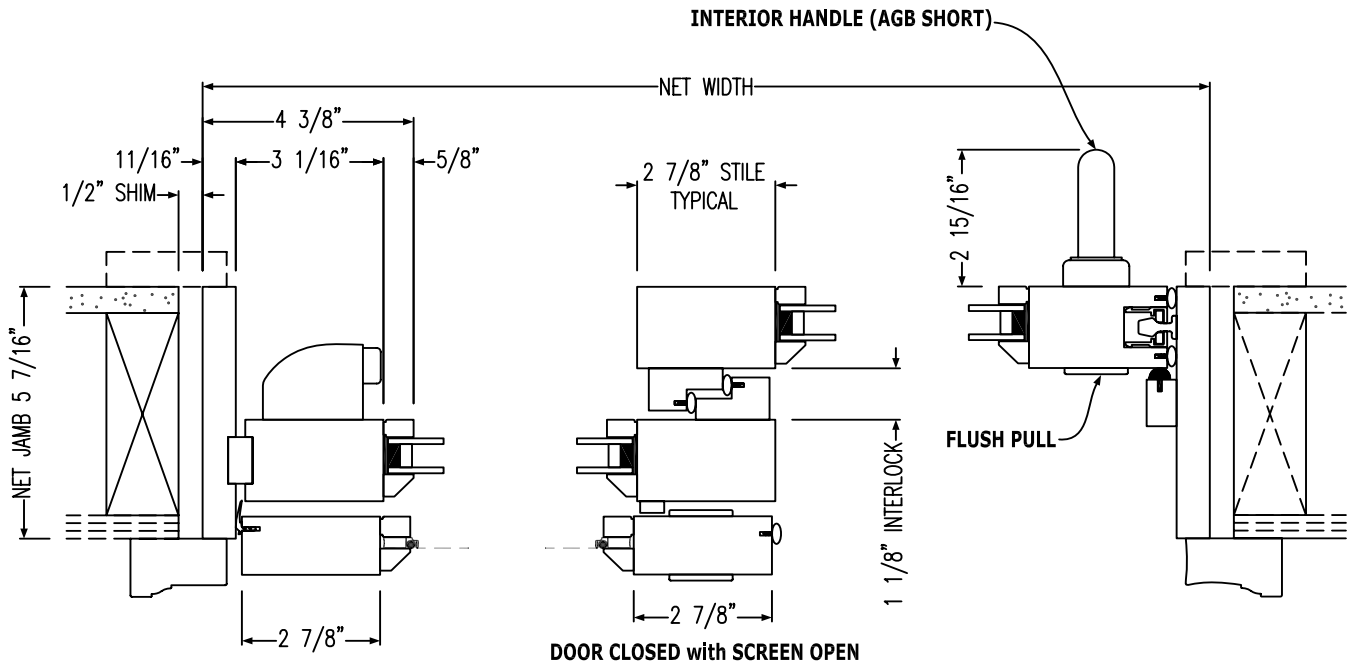


Pacific Series Sliding Doors

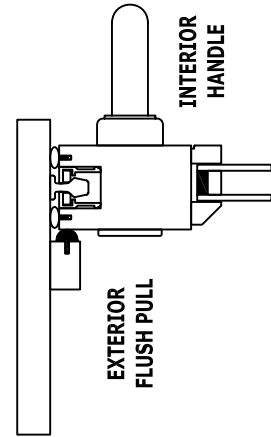
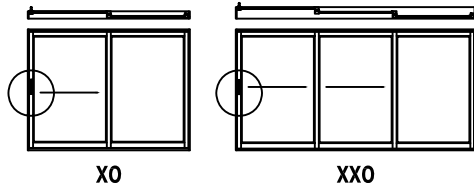
Head & Wood Sill Minimum Net Jamb



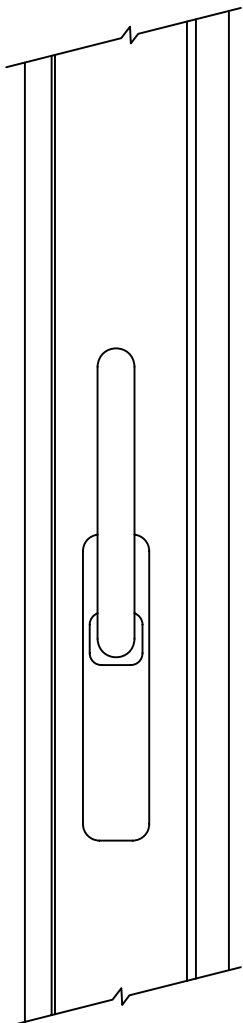
Jams & Stiles Minimum Net Jamb



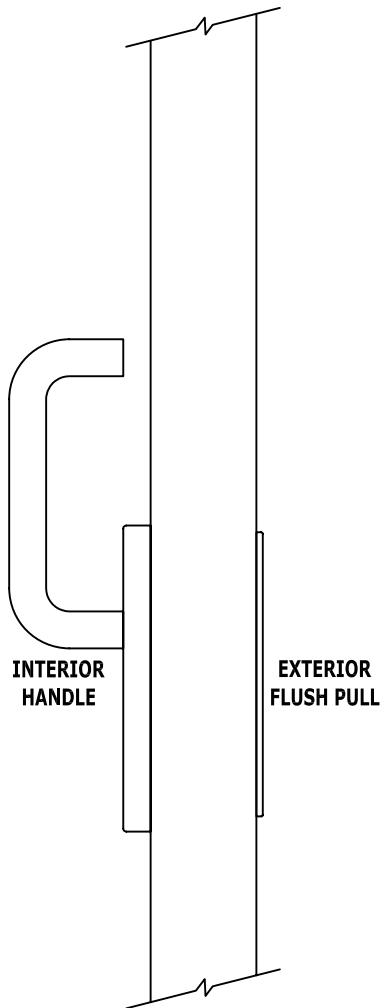
AGB Handle & Flush Pull



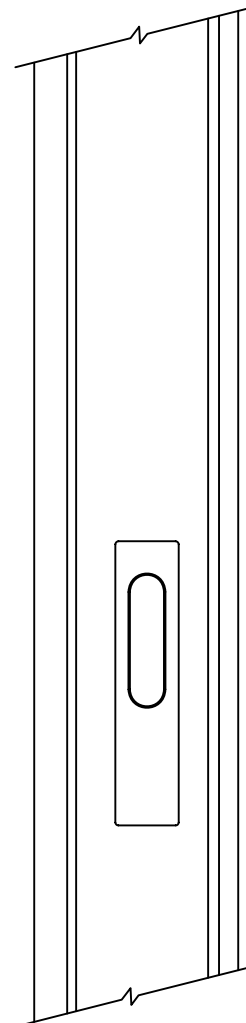
INTERIOR VIEW



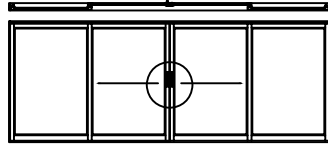
HANDLE SHOWN IN LATCHED POSITION



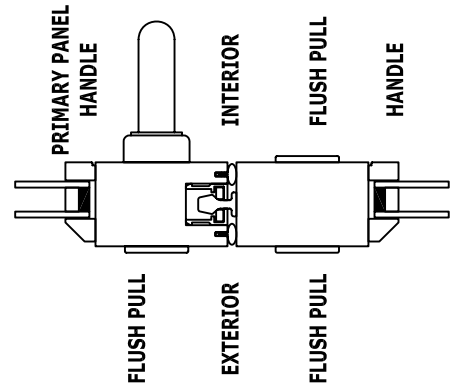
EXTERIOR VIEW



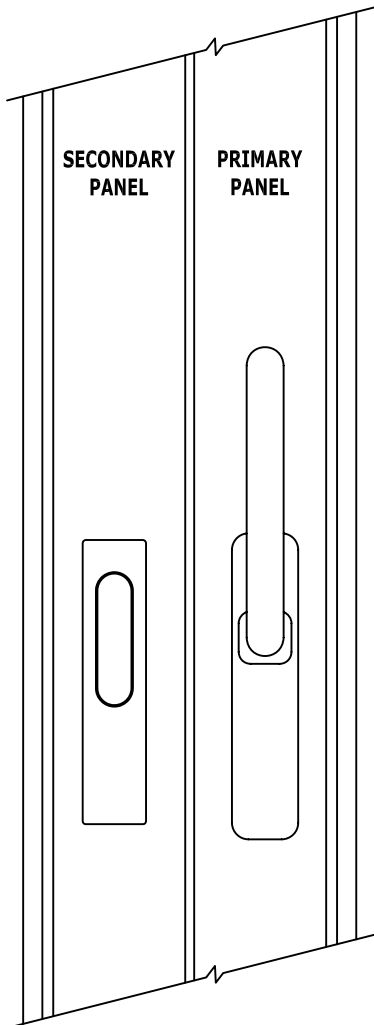
Pacific Series Sliding Doors
 AGB Handle (Coaxial Panels)



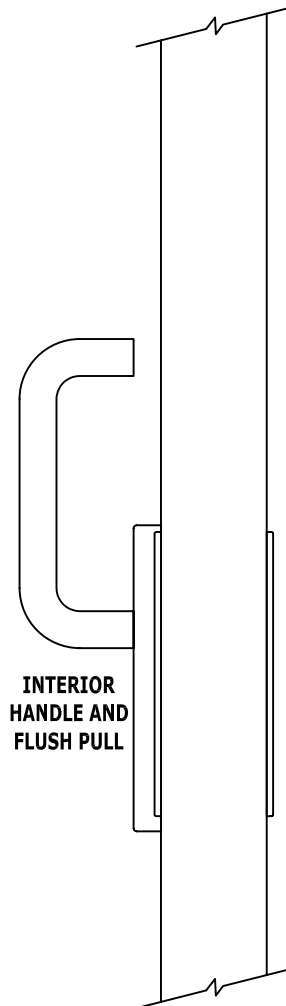
0XX0



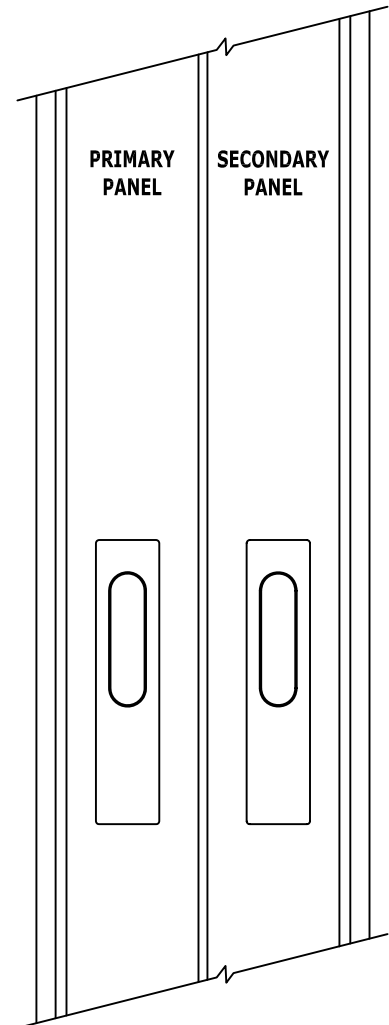
INTERIOR
VIEW



HANDLES SHOWN IN
LATCHED POSITION



EXTERIOR
VIEW



Muntins

OVOLO

RECTANGULAR

